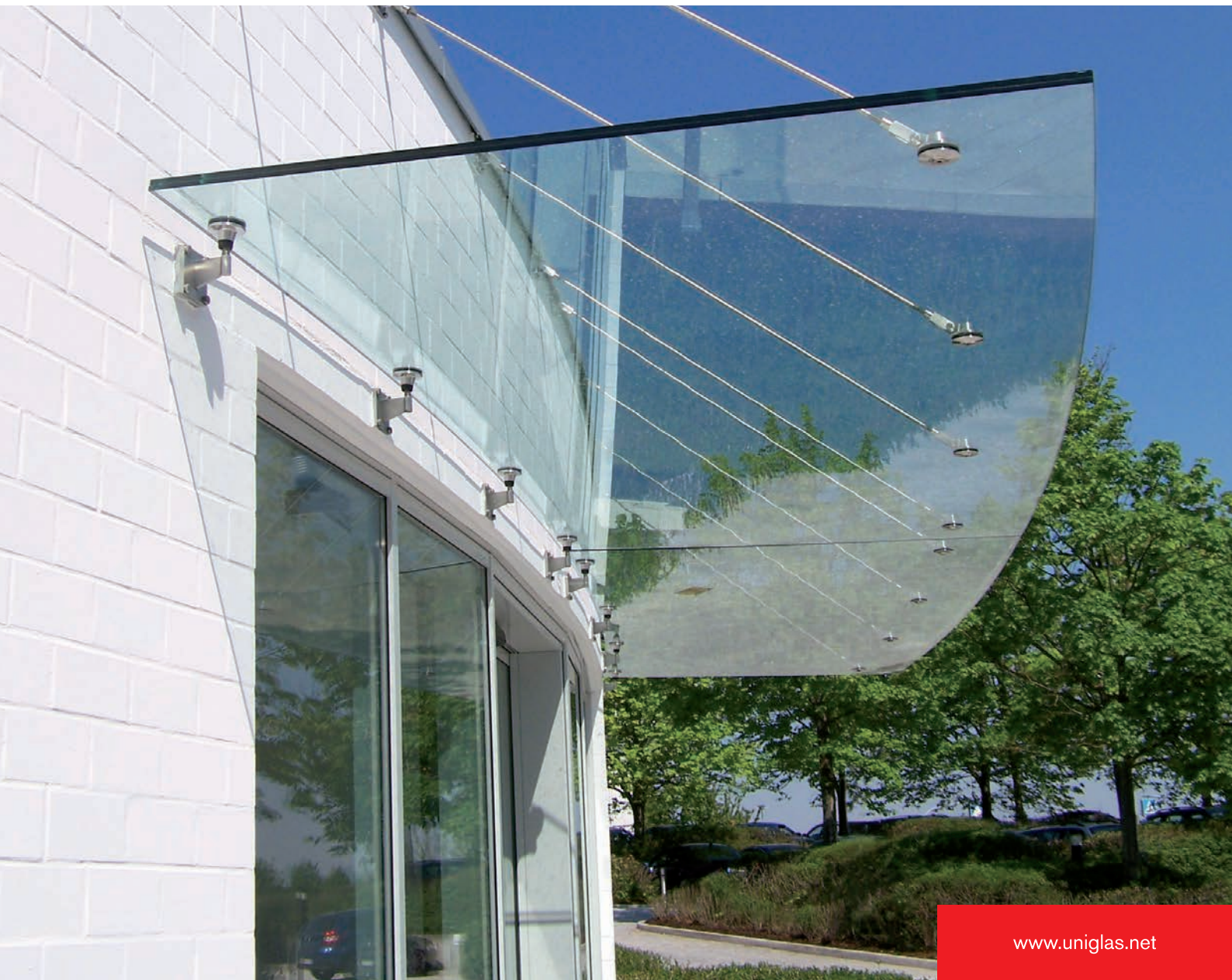


UNIGLAS® | **OVERHEAD**
C a n o p y S y s t e m





Transparent canopy system

UNI GLAS® | OVERHEAD C a n o p y S y s t e m

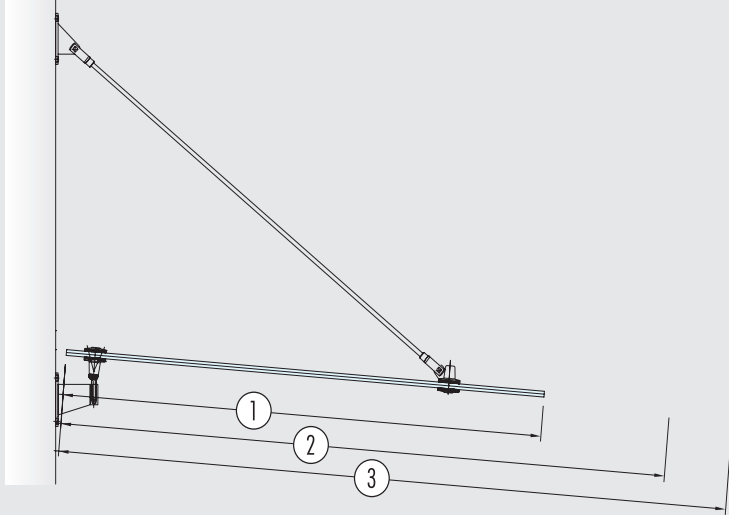
Canopies as weather protection

Canopies and front doors are the calling cards of every house entrance. Today, canopies are available in the most diverse materials, but the nicest and most long lasting variant is the canopy made of glass and stainless steel. It stands out due to extreme longevity and low maintenance costs.

Point fixed canopy systems are used on private houses as an elegant design solution for the house entrance. Also with company buildings, a perfectly designed canopy creates a characteristic and impressive entrance area, which makes a positive contribution to the whole impression of the company.

Canopies made of glass protect against wind and weather, can be integrated harmoniously into the building design, and upgrades the style and ambience of your entrance portal or your facade: Whether it's modern, classic or elegant - UNI GLAS® | OVERHEAD canopy systems offer optically neutral solutions for this.

If you are looking for aesthetically pleasing, and technically perfected ideas, then the tested quality of UNI GLAS® will convince and inspire you. Because the UNI GLAS® | OVERHEAD canopy systems protect against rain and moisture, but at the same time let daylight in, and therefore create an entrance area that is flooded with day light.

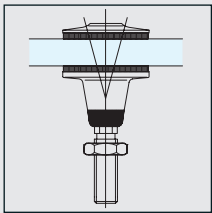


Construction and description

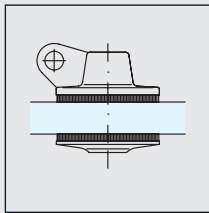
- ① Type I Diameter 45 mm to 1200 mm*
- ② Type II Diameter 60 mm to 1600 mm*
- ③ Type III Diameter 80 mm to 1800 mm*

*See General approval from the building supervision authority, No. Z-70.3-103.

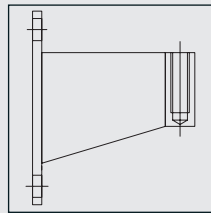
Glass bracket



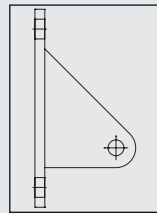
Glass suspension



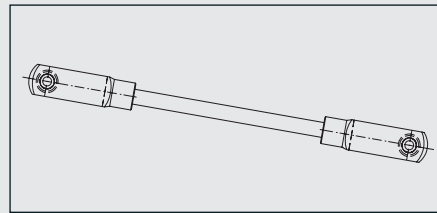
Wall console below



Wall console above



Draw bar according to type M8 / M10 / M12 with clevises



Design and security

For UNIGLAS® | **OVERHEAD** - canopy systems, we exclusively use high quality, weather resistant materials, such as stainless steel and laminated safety glass. The laminated safety glass used consists of 2x semi tempered glass (STG), with at least 1.52 mm thick PVB film. Screen printing and a design with easy to clean surfaces are possible.

The UNIGLAS® | **OVERHEAD** - canopy system earns brownie points on the whole range with the following advantages:

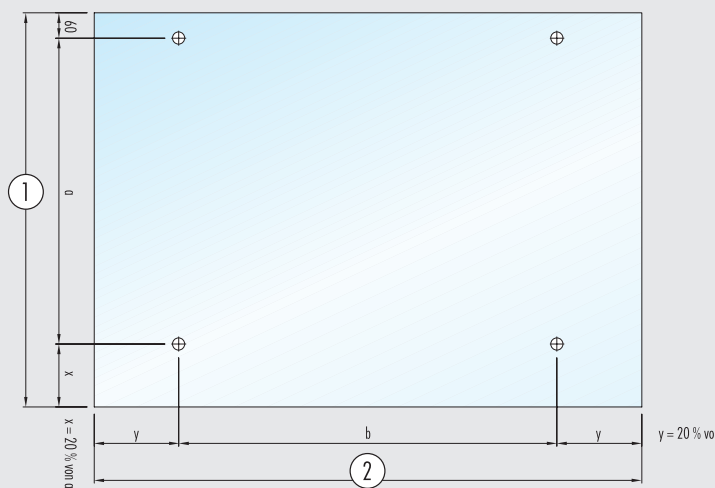
- System with 3 holder diameters
- Smallest holder diameter with 45 mm
- Approved snow load limit up to 1.5 kN/m², larger snow loads are also possible
- Especially large formats possible, e.g. up to 1,800 x 4,080 mm

The approval of the building supervision authority (for Germany) abZ No. Z-70.3 -103 is available for the fittings of the range UNIGLAS® | **OVERHEAD**.

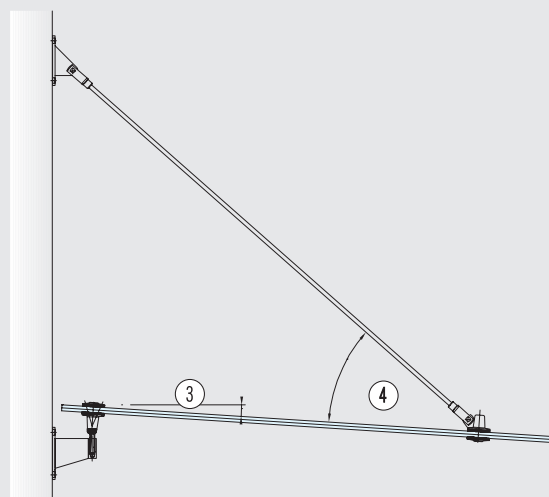


A canopy made of laminated safety glass & stainless steel, will give your house that special something extra, and you will largely protect your house entrance against rain and wetness at the same time.

Drill template



Installation view



① Canopy depth (CD) ② Canopy width (CW)

③ Gradient max. 10° ④ 35° to 45°

All dimension data in mm.

Important information: The values are only valid in adherence with the overall general approval from the building supervisory authority. Subject to technical changes.

Canopy system with 2 draw bars type I, type II and type III

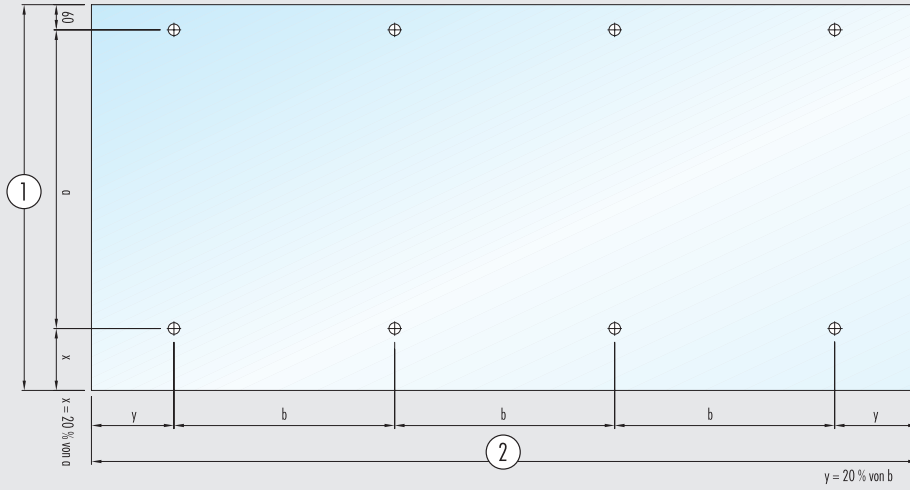
UNI GLAS® | OVERHEAD

C a n o p y S y s t e m

UNI GLAS® | OVERHEAD - Canopy systems with 2 draw bars

	a	x	VT	b	y	VB	glass assembly	snow loads
Type I	780	160	1000	1200	240	1680	LSG 2 x 8 mm STG	0,75 kN/m ²
Type I	780	160	1000	900	180	1260	LSG 2 x 8 mm STG	1,50 kN/m ²
Type II	950	190	1200	1200	240	1680	LSG 2 x 8 mm STG	0,75 kN/m ²
Type II	950	190	1200	900	180	1260	LSG 2 x 8 mm STG	1,50 kN/m ²
Type II	1120	220	1400	1300	260	1820	LSG 2 x 10 mm STG	0,75 kN/m ²
Type II	1120	220	1400	900	180	1260	LSG 2 x 10 mm STG	1,50 kN/m ²
Type III	1280	260	1600	1550	310	2170	LSG 2 x 10 mm STG	0,75 kN/m ²
Type III	1280	260	1600	1100	220	1540	LSG 2 x 10 mm STG	1,50 kN/m ²
Type III	1450	290	1800	1500	300	2100	LSG 2 x 12 mm STG	0,75 kN/m ²
Type III	1450	290	1800	1100	220	1540	LSG 2 x 12 mm STG	1,50 kN/m ²

Drill template (Canopy system with 4 draw bars)



① Canopy depth (CD) ② Canopy width (CW)

All dimension data in mm.

Important information: The values are only valid in adherence with the overall general approval from the building supervisory authority. Subject to technical changes.



Glass holding system for canopies made of glass

UNIGLAS® | OVERHEAD - Canopy systems with 4 draw bars

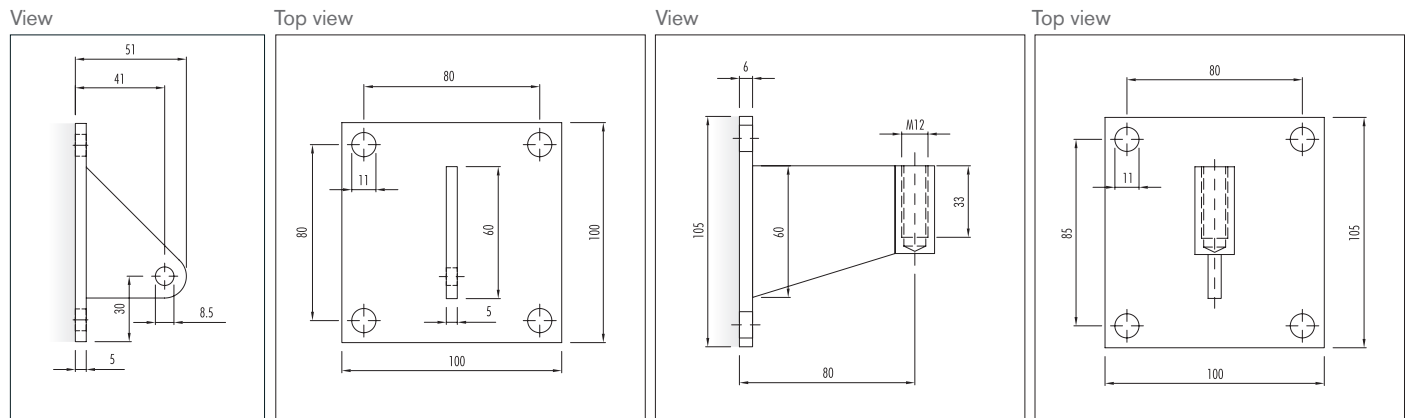
	a	x	VT	b	y	VB	glass assembly	snow loads
Type I	950	190	1200	750	150	2550	LSG 2 x 8 mm STG	0,75 kN/m ²
Type I	950	190	1200	500	100	1700	LSG 2 x 8 mm STG	1,50 kN/m ²
Type II	1120	220	1400	850	170	2890	LSG 2 x 8 mm STG	0,75 kN/m ²
Type II	1120	220	1400	550	110	1870	LSG 2 x 8 mm STG	1,50 kN/m ²
Type II	1280	260	1600	850	170	2890	LSG 2 x 10 mm STG	0,75 kN/m ²
Type II	1280	260	1600	550	110	1870	LSG 2 x 10 mm STG	1,50 kN/m ²
Type III	1280	260	1600	1300	260	4420	LSG 2 x 10 mm STG	0,75 kN/m ²
Type III	1280	260	1600	900	180	3060	LSG 2 x 10 mm STG	1,50 kN/m ²
Type III	1450	290	1800	1200	240	4080	LSG 2 x 12 mm STG	0,75 kN/m ²
Type III	1450	290	1800	800	160	2720	LSG 2 x 12 mm STG	1,50 kN/m ²

WALL CONSOLES 100 FOR TYPE I, TYPE II AND TYPE III

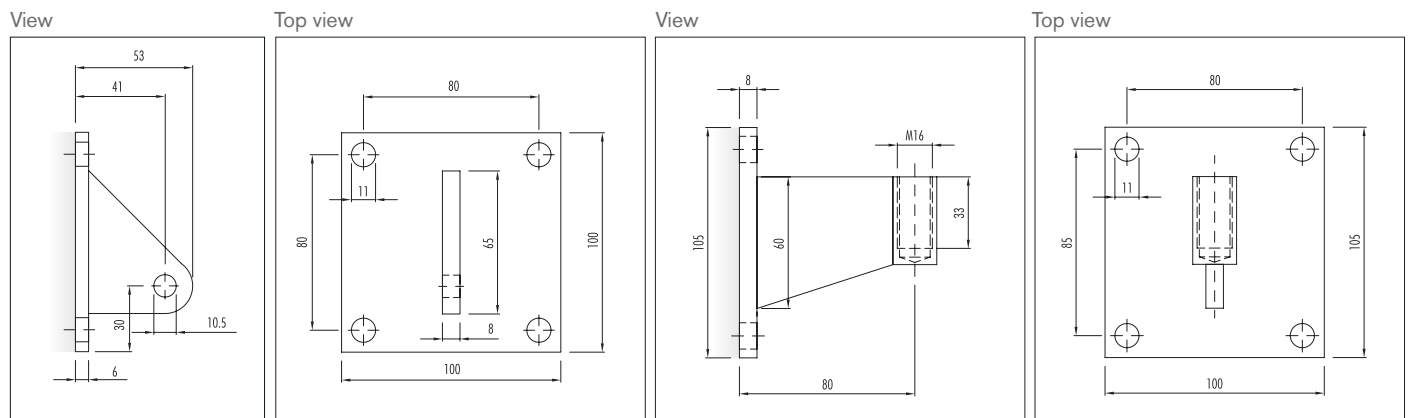
Surface: Ground K 320

Material: Stainless steel rust free 1,4301

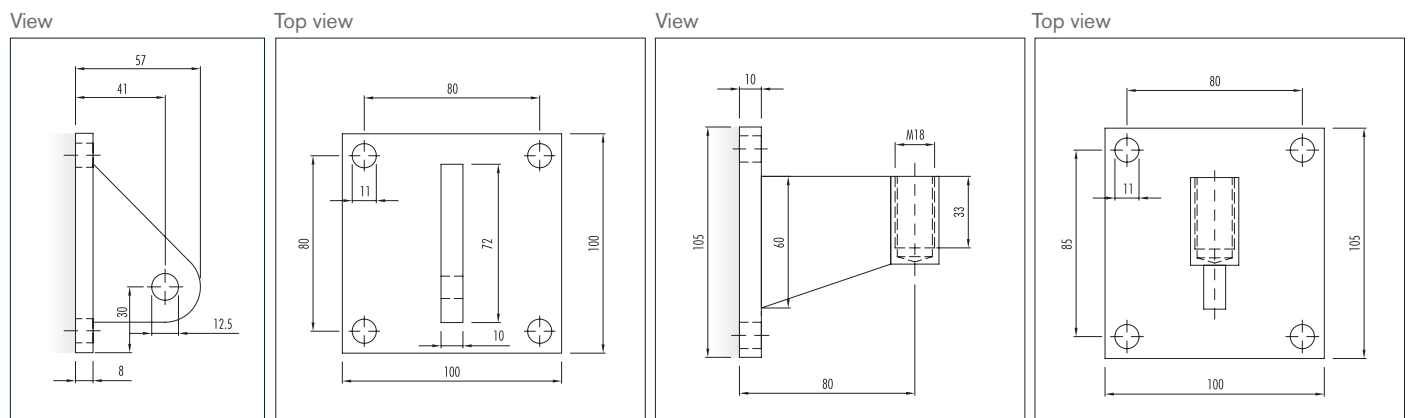
WALL CONSOLE 100 ABOVE FOR TYPE I



WALL CONSOLE 100 ABOVE FOR TYPE II



WALL CONSOLE 100 ABOVE FOR TYPE III



All screw joints must be properly secured (e.g. Loctite).

Photos: Symbolphotos



UNI GLAS® | OVERHEAD Canopy system

What you need to know!

A beautiful canopy made of glass will make any house front look more refined. Elegant selection of materials - high quality, maintenance free stainless steel, polished glass edges and precise glass drilling - are what make UNI GLAS® | **OVERHEAD** canopy systems stand out. A precise, vertical adjustment of the glass suspension in the wall support makes assembly significantly easier.

Due to the approval by the building authorities for canopies (abZ No. Z-70.3-103 for Germany) - in the case of adherence to the technical requirements - no further structural analysis, no component examination and no approval in individual cases is required!

Advantages:

- Delicate, elegant glass suspension from diameter 45 mm
- Canopy size max. 1800 x 4080 mm
- Tested laminated safety glass
- Slender supporting frame construction
- Flexible wall holder system
- Approved snow load limit up to 1.5 kN/m², larger snow loads are also possible
- Transparent and light looking product range
- Optically invisible tolerance compensation



Point fixed canopies made of glass must have approval by the building authorities, in order to correspond to the structural and legal requirements on installation.



Our proximity: your advantage

UNIGLAS GmbH & Co. KG
Robert-Bosch-Straße 10
D-56410 Montabaur
Telefon: +49 (0) 2602/94929-0
Fax: +49 (0) 2602/94929-299
E-Mail: info@uniglas.de

